

Spotlight for pool installations

**STAINLESS STEEL**

IT Apparecchio di illuminazione a LED, interamente realizzato in acciaio inox AISI 316L, con trattamento di passivazione brevetto OXALUM. Grado di protezione IP68 per profondità fino a 5 m. Cavo di alimentazione sommersibile di 2,80 m per i modelli a luce fissa e di 14,80 m per la versione RGB. La lunghezza del cavo può essere modificata su richiesta onde evitare giunzioni in zone a rischio di infiltrazione d'acqua. Con 1 o 3 Led modello NCS Nichia nei colori indicati in tabella o in RGB, con alimentazione 12Vac/dc (versione a 1 led) e 12 Vdc (versione a 3 led) per i modelli a singolo colore e con driver 0-7,5 Vdc per i modelli in RGB. Installazione in piscina mediante accessori non inclusi. Per l'illuminazione di accento in piscine, fontane, attrazioni d'acqua ecc. Disponibile anche nella versione con sistema ACQUASTOP integrato.

EN LED lighting device, completely realized in AISI 316L stainless steel, with OXALUM-patented passivation treatment. Degree of protection IP68 for depths up to 5 m. Submersible supply cable, with length of 2,80 m for fixed light models and of 14,80 m for the RGB version. The cable length can be modified on demand, in order to avoid junctions in areas where there is risk of water penetration. NCS Nichia model with 1 or 3 LEDs. Available in the colours listed in the table or in the RGB version, with power supply at 12Vac/dc (1 LED-version) and 12Vdc (3 LEDs-version) for the single-colour models and with driver 0-7,5 Vdc for the RGB models. Installations in swimming pools with accessories not included in the package. For emphatic lighting of swimming pools, fountains, water attractions, etc. Available also in the version with integrated ACQUASTOP system.

FR Appareil d'illumination à LED, complètement fabriqué en acier inoxydable AISI 316L, avec traitement de passivation breveté par OXALUM. Degré de protection IP68 pour profondeurs jusqu'à 5 m. Câble d'alimentation submersible de 2,80 m pour les modèles à lumière fixe et de 14,80 m pour la version RGB. La longueur du câble peut être modifiée sur demande pour éviter jonctions en lieux où il y a le risque de pénétration d'eau. Avec 1 ou 3 LEDs, modèle NCS Nichia, dans les couleurs indiquées dans la table ou en version RGB ; avec alimentation à 12Vac/dc (version avec 1 LED) et à 12Vdc (version avec 3 LEDs) pour les modèle avec une seule couleur et dans la version RGB alimentation parmi driver 0-7,5 Vdc. Installations en piscines avec accessoires pas inclus. Pour une illumination emphatique des piscines, fontaines, jeux d'eau, etc. Disponible aussi en version avec système ACQUASTOP intégré.

DE LED-Beleuchtungsgerät aus rostfreiem AISI 316L Stahl, mit passiver Oxydationsbehandlung (OXALUMs Patent). Schutzart IP68 für Tiefe bis zu 5 m. Unterwasserversorgungskabel: 2,80 m lang für die Festlichtmodelle und 14,80 m lang für die RGB-Version. Die Länge des Kabels kann auf Anfrage modifiziert werden, um Verbindungen zu vermeiden, wo es Risiko von Wasserpenetration besteht. Mit 1 oder 3 LEDs, NCS Nichia-Modelle. Verfügbar in den in der Tabelle gezeigten Farben oder in RGB-Version, mit 12Vac/dc Versorgung (für die 1-LED-Modelle) und 12Vdc Versorgung (für die 3-LEDs-Modelle). Für die RGB-Version, Versorgung durch ein 0-7,5Vdc Driver. Installationen in Schwimmbecken durch nicht enthaltene Zubehöre. Für eine emphatische Beleuchtung von Schwimmbecken, Springbrunnen, Wasserspielen, usw. Verfügbar auch in Version mit integriertem ACQUASTOP-Systeme.

Article (lens 24°)	Article(lens 40°)	Light source	Light colour	Wattage	Tension
11700P/24	11700P/40	1 W POW-LED warm white	3000K	1W 160 lumen	12V ac/dc
11701P/24	11701P/40	1 W POW-LED cold white	5700K	1W 200 lumen	12V ac/dc
11705P/24	11705P/40	1 W POW-LED natural white	4000K	1W 160 lumen	12V ac/dc

ACQUASTOP art. (lens 24°)	ACQUASTOP art. (lens 40°)	Light source	Light colour	Wattage	Tension
11700P/A/24	11700P/A/40	1 W POW-LED warm white	3000K	1W 160 lumen	12V ac/dc
11701P/A/24	11701P/A/40	1 W POW-LED cold white	5700K	1W 200 lumen	12V ac/dc
11705P/A/24	11705P/A/40	1 W POW-LED natural white	4000K	1W 160 lumen	12V ac/dc

Article (lens 15°)	Article (lens 25°)	Article (lens 40°)	Article (no lens 120°)	Light source	Light colour	Wattage	Tension
11600P/15	11600P/25	11600P/40	11600P/SL	3 W POW-LED warm white	3000K	3W 480 lumen	12Vdc Brown+ / Blue-
11601P/15	11601P/25	11601P/40	11601P/SL	3 W POW-LED cold white	5700K	3W 600 lumen	12Vdc Brown+ / Blue-
11605P/15	11605P/25	11605P/40	11605P/SL	3 W POW-LED natural white	4000K	3W 480 lumen	12Vdc Brown+ / Blue-
11RGB/P/15	11RGB/P/25	11RGB/P/40	11RGB/P/SL	3 W POW-LED RGB		3W 255 lumen	7,5 Vdc with driver

ACQUASTOP art. (lens 15°)	ACQUASTOP art. (lens 25°)	ACQUASTOP art. (lens 40°)	ACQUASTOP art. (no lens)	Light source	Light colour	Wattage	Tension
11600P/A/15	11600P/A/25	11600P/A/40	11600P/A/SL	3 W POW-LED warm white	3000K	3W 480 lumen	12Vdc Brown+ / Blue-
11601P/A/15	11601P/A/25	11601P/A/40	11601P/A/SL	3 W POW-LED cold white	5700K	3W 600 lumen	12Vdc Brown+ / Blue-
11605P/A/15	11605P/A/25	11605P/A/40	11605P/A/SL	3 W POW-LED natural white	4000K	3W 480 lumen	12Vdc Brown+ / Blue-
11RGB/P/A/15	11RGB/P/A/25	11RGB/P/A/40	11RGB/P/A/SL	3 W POW-LED RGB		3W 255 lumen	7,5 Vdc with driver

For plants envisaging the use of numerous articles, contact our technical office to know the codes of the power supplies.

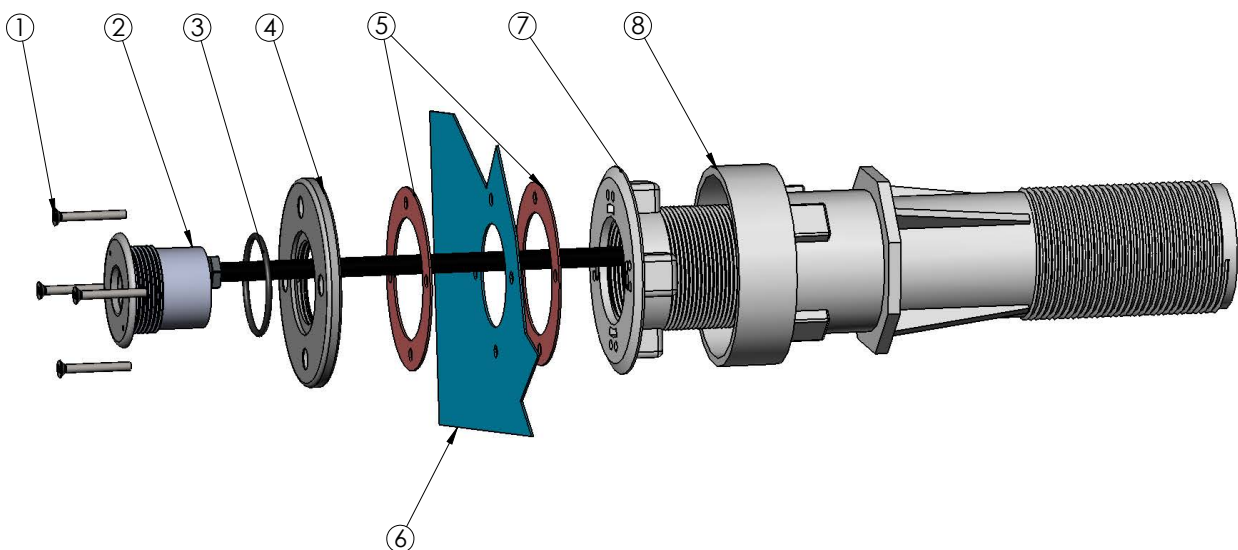
Power supply	Tension
LXP20/13	Ideal for the power supply from 1 to 8 of any article of the series LORY POOL 1 W (also for the ACQUASTOP version) in the warm white, cold white and natural white versions
LXP35/13	Ideal for the power supply from 1 to 7 of any article of the series LORY POOL 3 W (also for the ACQUASTOP version) in the warm white, cold white and natural white versions
DDL1/3	For the power supply from 1 to 10 articles of the series LORY POOL RGB (also for the ACQUASTOP version)

IT **INSTALLAZIONE CON ACCESSORI IN PLASTICA:** Lory Pool può essere installato mediante l'utilizzo degli accessori in plastica PCA19 e BOC050F (non inclusi nella confezione), ideali per le piscine che utilizzano liner. L'articolo PCA19 deve essere murato al momento della realizzazione del calcestruzzo della vasca. Per ulteriori dettagli riguardo all'installazione riferirsi al disegno.

EN **INSTALLATION USING PLASTICS ACCESSORIES:** Lory Pool can be installed using the plastics accessories PCA19 and BOC050F (they are not included in the package), ideal for swimming pools in liner. The article PCA19 must be walled when realizing the concrete of the pool. For more details concerning the installation, see the picture.

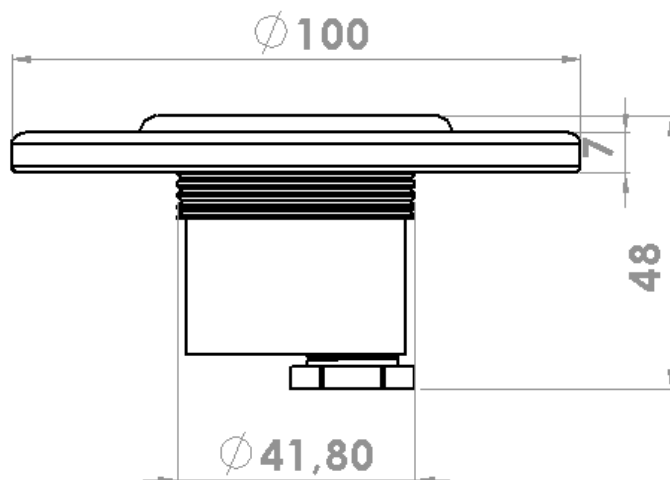
FR **INSTALLATION AVEC ACCESSOIRES EN PLASTIQUE:** Lory Pool peut être installé avec l'utilisation d'accessoires en plastique PCA19 et BOC050F (pas inclus dans la confection), idéales pour les piscines qui utilisent liner. L'article PCA19 doit être muré au moment de la réalisation du béton de la piscine. Pour autres informations sur l'installation, voire le dessin.

DE **INSTALLATION DURCH KUNSTSTOFFZUBEHÖRE:** Lory Pool kann durch die Kunststoffzubehöre PCA19 und BOC050F installiert werden (sie sind nicht im Packet enthalten); sie sind geeignet für Schwimmbecken auf Liner. Der Artikel PCA19 muss zugemauert werden, wenn der Beton des Schwimmbeckens gebaut wird. Für mehrere Informationen über die Installation, sehen Sie das Bild.



N COMPONENTI - COMPONENTS

- 1 Viti di fissaggio - Fixing screws
- 2 Faro Lory - Lory spot
- 3 Guarnizione OR - O-ring gasket
- 4 Rondella Pool - Pool flange
- 5 Guarnizioni in gomma - Rubber gaskets
- 6 Telo in PVC - PVC liner
- 7 Manicotto BOC050F - BOC050F pipe union
- 8 Passante da parete PCA 19 - PCA19 wall passage union



Accessories	Description
PCA19	Plastic wall passage union, 25 cm long. To be used with BOC050F
BOC050F	Plastic pipe union to be screwed on the wall passage union. Screws and gaskets included. To be used with PCA19

